

LEGAL DESCRIPTION
CITY OF CHULA VISTA

THAT PORTION OF LOTS 9 AND 16 IN QUARTER SECTION 137 OF RANCHO DE LA NACION, IN THE CITY OF CHULA VISTA, COUNTY OF SAN DIEGO, STATE OF CALIFORNIA, ACCORDING TO MAP THEREOF NO. 505, FILED IN THE OFFICE OF THE COUNTY RECORDER OF SAID COUNTY MARCH 13, 1888, AND MORE PARTICULARLY DESCRIBED AS FOLLOWS AND ILLUSTRATED ON EXHIBIT "B" ATTACHED HERETO AND MADE A PART OF THIS DOCUMENT:

COMMENCING AT THE SOUTHWESTERLY CORNER OF SAID LOT 16 IN QUARTER SECTION 137, ALSO BEING THE INTERSECTION OF THE NORTHEASTERLY LINE OF FOURTH AVENUE (80' WIDE) AND THE NORTHWESTERLY LINE OF F STREET (80' WIDE) PER SAID MAP 505; THENCE NORTHERLY ALONG THE EASTERLY LINE OF FOURTH STREET NORTH 17°32'36" WEST 330.22 FEET TO THE **TRUE POINT OF BEGINNING**; THENCE (1) CONTINUING ALONG SAID NORTHEASTERLY LINE OF FOURTH AVENUE NORTH 17°32'36" WEST 5.00 FEET; THENCE (2) LEAVING SAID NORTHEASTERLY LINE NORTH 72°36'11" EAST 9.13 FEET; THENCE (3) SOUTH 62°19'08" EAST 8.97 FEET; THENCE (4) NORTH 73°16'14" EAST 101.95 FEET; THENCE (5) NORTH 27°39'49" EAST 5.66 FEET; THENCE (6) NORTH 73°16'46" EAST 77.46 FEET; THENCE (7) NORTH 16°43'46" WEST 10.71 FEET; THENCE (8) NORTH 73°16'14" EAST 31.02 FEET; THENCE (9) SOUTH 16°43'46" EAST 4.00 FEET; THENCE (10) NORTH 73°16'14" EAST 14.00 FEET; THENCE (11) SOUTH 16°43'36" EAST 22.50 FEET; THENCE (12) SOUTH 73°16'14" WEST 68.08 FEET; THENCE (13) NORTH 16°43'46" WEST 6.75 FEET; THENCE (14) SOUTH 73°16'14" WEST 56.26 FEET; THENCE (15) SOUTH 27°39'49" WEST 40.05 FEET; THENCE (16) SOUTH 17°47'27" EAST 19.71 FEET; THENCE (17) NORTH 72°12'33" EAST 6.00 FEET; THENCE (18) SOUTH 17°47'27" EAST 14.94 FEET; THENCE (19) SOUTH 57°04'20" EAST 11.90 FEET; THENCE (20) NORTH 32°55'40" EAST 2.00 FEET; THENCE (21) SOUTH 57°04'20" EAST 8.50 FEET; THENCE (22) SOUTH 32°55'40" WEST 9.00 FEET; THENCE (23) NORTH 57°04'20" WEST 8.50 FEET; THENCE (24) NORTH 32°55'40" EAST 2.00 FEET; THENCE (25) NORTH 57°04'20" WEST 13.33 FEET; THENCE (26) SOUTH 72°12'33" WEST 12.22 FEET; THENCE (27) NORTH 17°47'27" WEST 17.00 FEET; THENCE (28) NORTH 72°12'33" EAST 6.00 FEET; THENCE (29) NORTH 17°47'27" WEST 21.81 FEET; THENCE (30) NORTH 27°39'49" EAST 37.25 FEET; THENCE (31) SOUTH 73°16'14" WEST 99.10 FEET; THENCE (32) NORTH 62°19'08" WEST 8.94 FEET; THENCE (33) SOUTH 72°36'11" WEST 7.04 FEET TO THE **TRUE POINT OF BEGINNING**.

CONTAINING 3,342 SQUARE FEET, MORE OR LESS.

BEARINGS USED IN THE ABOVE DESCRIPTION ARE ON THE CALIFORNIA COORDINATE SYSTEM OF 1983, ZONE 6.



CITY OF CHULA VISTA
PUBLIC WORKS DEPARTMENT
276 FOURTH AVENUE
CHULA VISTA, CA 91910
(619) 409-1974

[Signature]
JOHN R. BERGGREN, P.L.S. 6000
LICENSE EXPIRES 12/31/2016

2/10/2015
DATE

EXHIBIT "B"



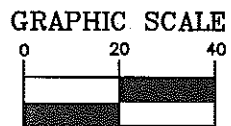
LOT 9

RANCHO DE LA NACION
MAP 505
¼ SEC 137

LOT 16

LEGEND

	CENTERLINE
	PROPERTY LINE
	PROPOSED EASEMENT



(IN FEET)
1 inch = 40 ft.

FOURTH AVENUE
(80')

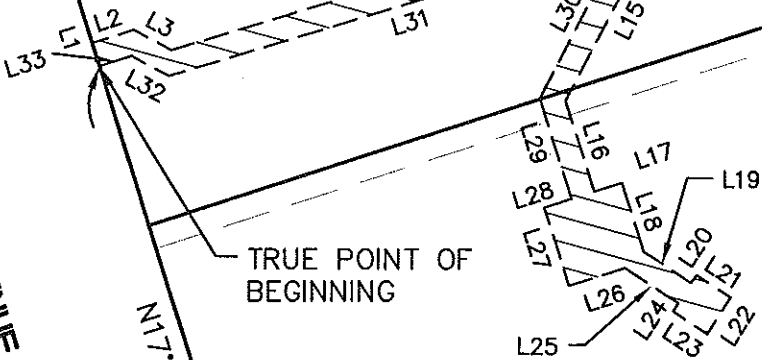
N 17° 32' 39" N

TRUE POINT OF BEGINNING

POINT OF COMMENCEMENT

330.22'

'F' STREET
(80')



CITY OF CHULA VISTA
PUBLIC WORKS DEPARTMENT
276 FOURTH AVENUE
CHULA VISTA, CA 91910
(619) 409-1974

JOHN R. BERGGREN, P.L.S. 6000
LICENSE EXPIRES 12/31/2016

2/10/2015
DATE

LINE TABLE		
#	BEARING	LENGTH
L1	N17°32'36"W	5.00
L2	N72°36'11"E	9.13
L3	S62°19'08"E	8.97
L4	N73°16'14"E	101.95
L5	N27°39'49"E	5.66
L6	N73°16'46"E	77.46
L7	N16°43'46"W	10.71
L8	N73°16'14"E	31.02
L9	S16°43'46"E	4.00
L10	N73°16'14"E	14.00
L11	S16°43'36"E	22.50
L12	S73°16'14"W	68.08
L13	N16°43'46"W	6.75
L14	S73°16'14"W	56.26
L15	S27°39'49"W	40.05
L16	S17°47'27"E	19.71
L17	N72°12'33"E	6.00
L18	S17°47'27"E	14.94
L19	S57°04'20"E	11.90
L20	N32°55'40"E	2.00
L21	S57°04'20"E	8.50
L22	S32°55'40"W	9.00
L23	N57°04'20"W	8.50
L24	N32°55'40"E	2.00
L25	N57°04'20"W	13.33
L26	S72°12'33"W	12.22
L27	N17°47'27"W	17.00
L28	N72°12'33"E	6.00
L29	N17°47'27"W	21.81
L30	N27°39'49"E	37.25
L31	S73°16'14"W	99.10
L32	N62°19'08"W	8.94
L33	S72°36'11"W	7.04



CITY OF CHULA VISTA
 PUBLIC WORKS DEPARTMENT
 276 FOURTH AVENUE
 CHULA VISTA, CA 91910
 (619) 409-1974

John R. Berggren

 JOHN R. BERGGREN, P.L.S. 6000
 LICENSE EXPIRES 12/31/2016

2/10/2015

 DATE