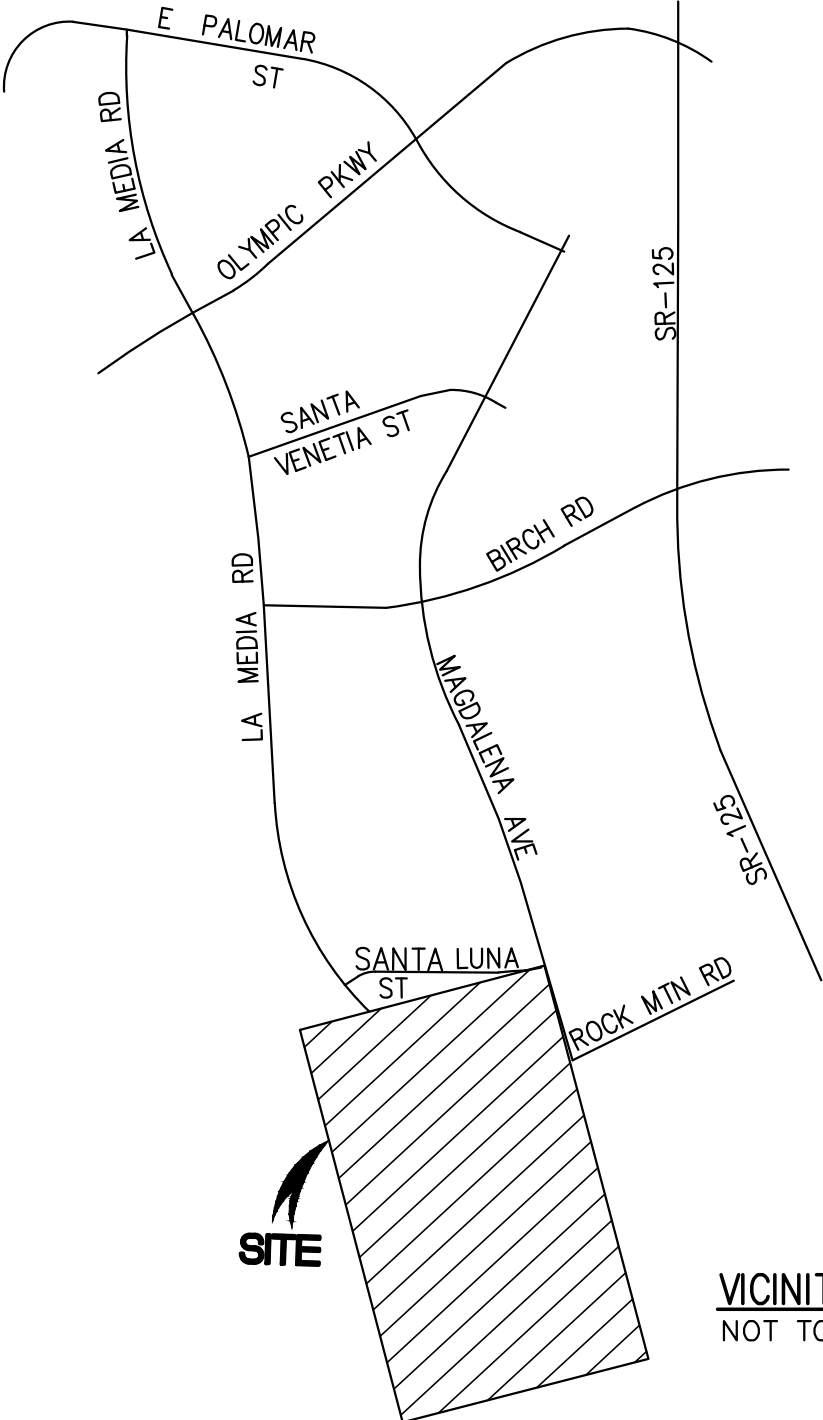


EXHIBIT 'A'

CITY OF
CHULA VISTA



VICINITY MAP
NOT TO SCALE

EXHIBIT 'B'

LEGAL DESCRIPTION

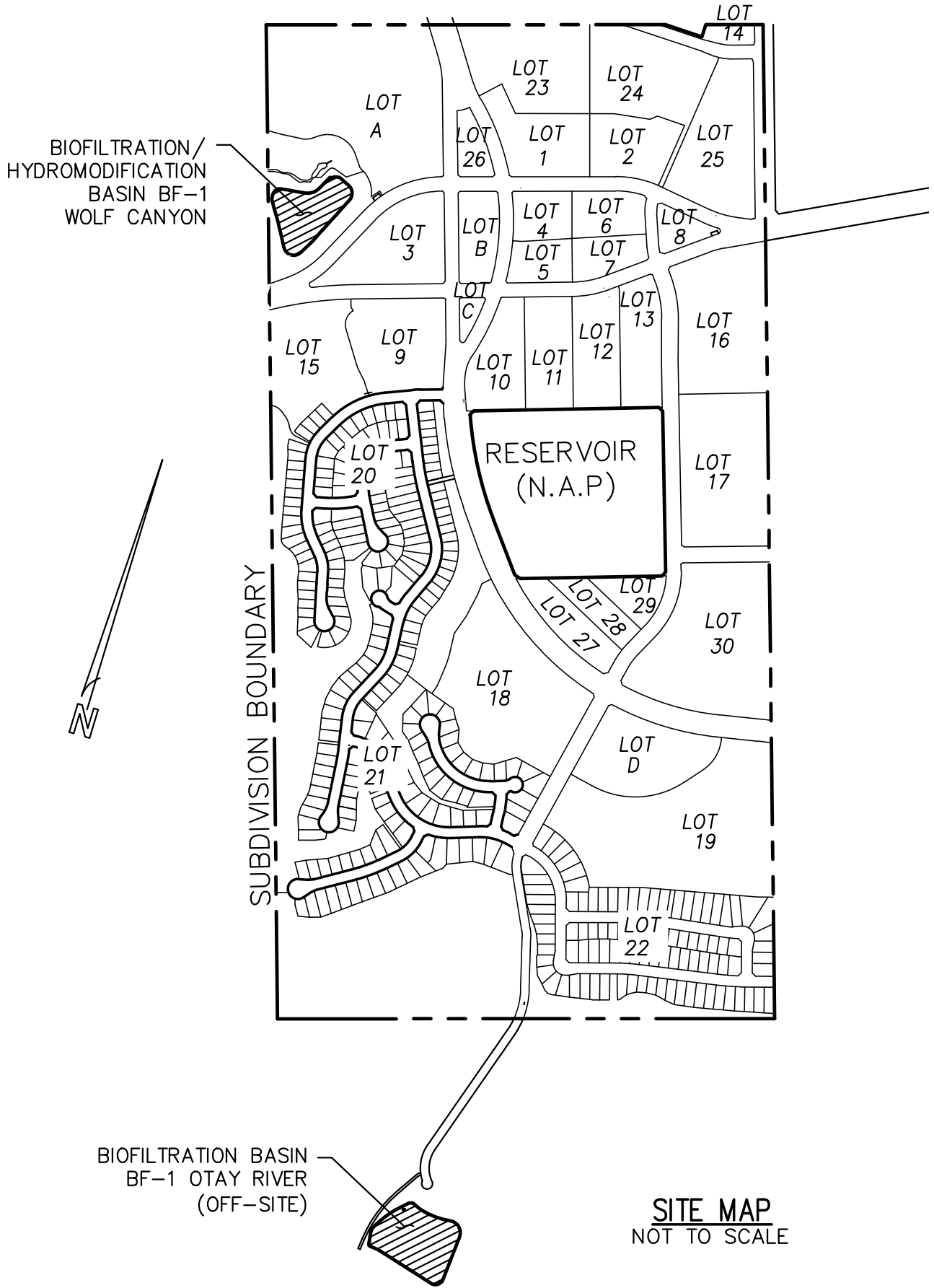
BEING PORTIONS OF LOTS 27 AND 28 OF OTAY RANCHO, IN THE COUNTY OF SAN DIEGO, STATE OF CALIFORNIA, ACCORDING TO MAP THEREOF NO. 862, FILED IN THE OFFICE OF THE COUNTY RECORDER OF SAN DIEGO COUNTY, FEBRUARY 7, 1900.

EXHIBIT 'B'

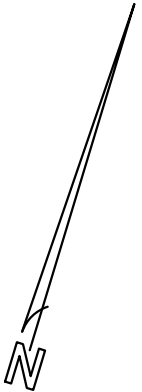
LEGAL DESCRIPTION

BEING ALL OF OTAY RANCH VILLAGE 8 WEST, IN THE CITY OF CHULA VISTA,
COUNTY OF SAN DIEGO, STATE OF CALIFORNIA, ACCORDING TO MAP THEREOF
NO._____, FILED IN THE OFFICE OF THE COUNTY RECORDER OF SAN DIEGO
COUNTY,_____.

EXHIBIT "C"



BIOFILTRATION/
HYDROMODIFICATION
BASIN BF-1
WOLF CANYON



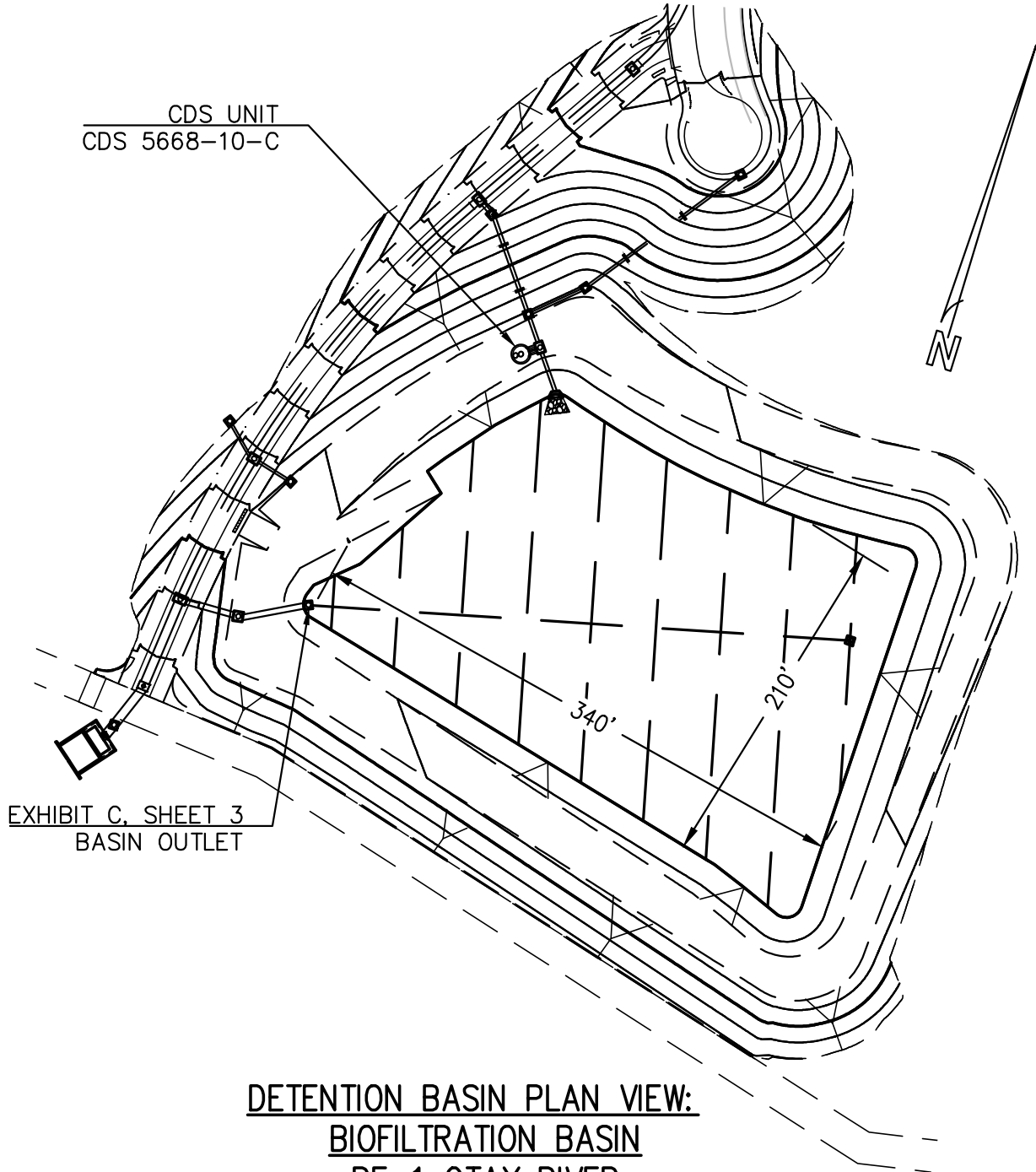
SUBDIVISION BOUNDARY

BIOFILTRATION BASIN
BF-1 OTAY RIVER
(OFF-SITE)

SITE MAP
NOT TO SCALE

EXHIBIT 'C'

OFF-SITE STORM WATER MANAGEMENT FACILITIES

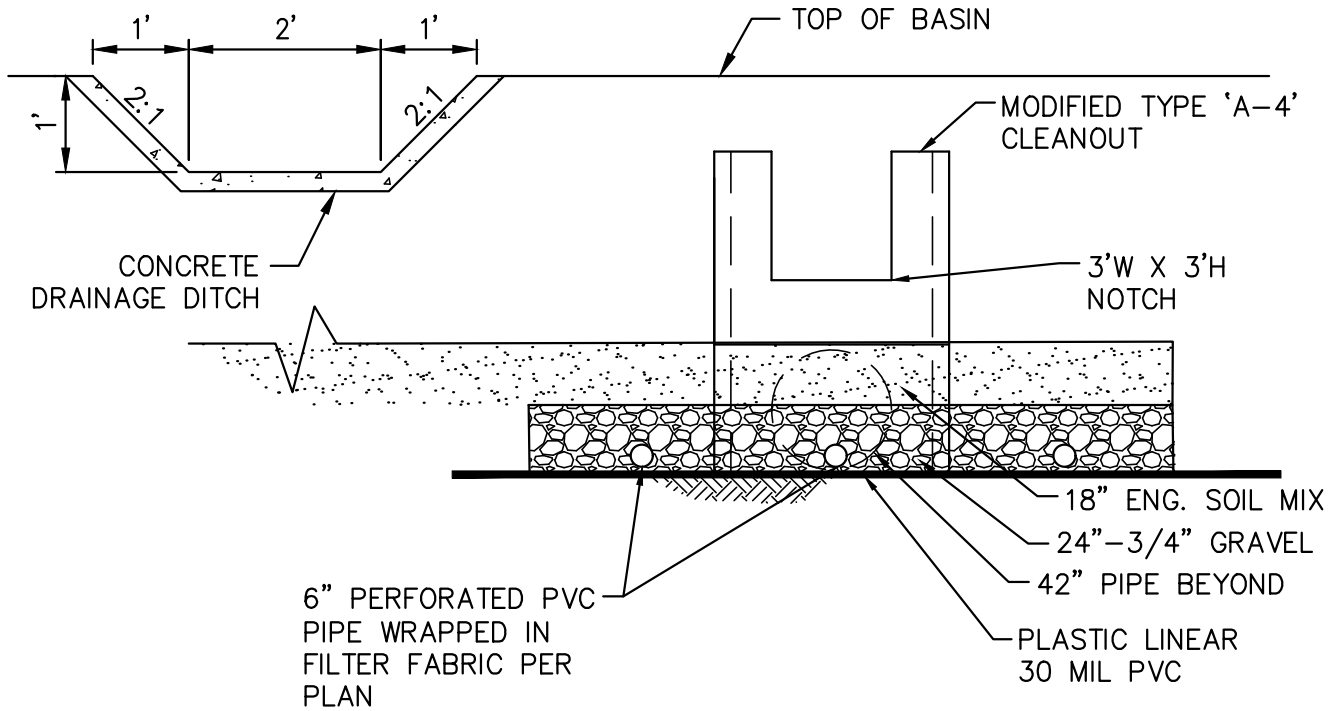


DETENTION BASIN PLAN VIEW:
BIOFILTRATION BASIN
BF-1 OTAY RIVER
SCALE 1"=100'

EXHIBIT 'C'

SHEET 3 OF 5

OFF-SITE STORM WATER MANAGEMENT FACILITIES



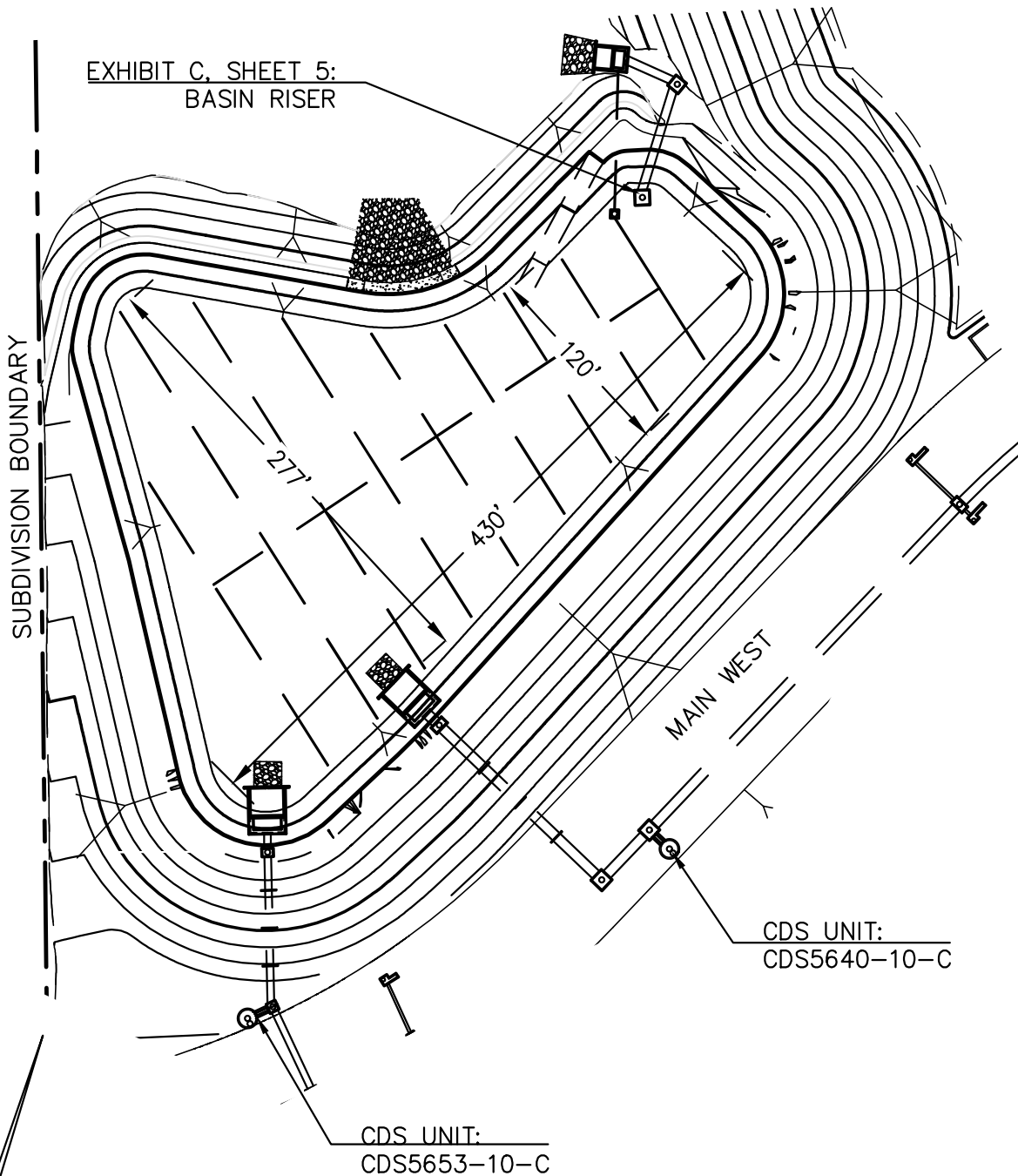
BASIN OUTLET BIOFILTRATION BASIN BF-1 OTAY RIVER NO SCALE

NOTES:

1. BIOFILTRATION 'ENGINEER SOIL' LAYER SHALL BE MINIMUM 18" DEEP 'SANDY LOAM' SOIL MIX WITH NO MORE THAN 5% CLAY CONTENT, THE MIX SHALL CONTAIN 50-60% SAND, 20-30% COMPOST OR HARDWOOD MULCH, AND 20-30% TOPSOIL.
2. GRAVEL BASE SHALL BE 3/4" CRUSHED ROCK LAYER WITH A MINIMUM DEPTH OF 24." MAY BE DEEPENED TO INCREASE THE INFILTRATION AND STORAGE ABILITY OF THE BASIN.

EXHIBIT 'C'

BMP AND HMP TYPE, LOCATION, AND DIMENSIONS



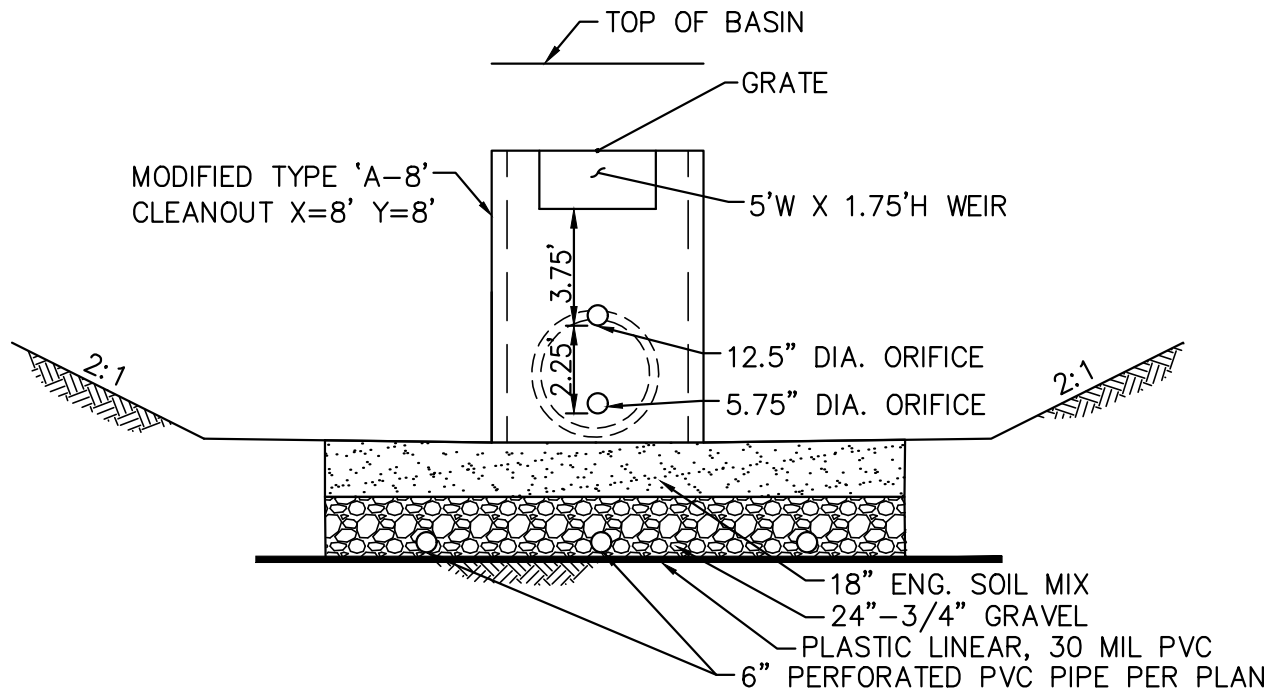
DETENTION BASIN PLAN VIEW:
BIOFILTRATION/HYDROMODIFICATION BF-1 WOLF CANYON

SCALE 1"=100'

EXHIBIT 'C'

SHEET 5 OF 5

BMP AND HMP TYPE, LOCATION, AND DIMENSIONS



DETENTION BASIN RISER BIOFILTRATION/HYDROMODIFICATION BF-1 WOLF CANYON

NO SCALE

NOTES:

1. BIOFILTRATION 'ENGINEER SOIL' LAYER SHALL BE MINIMUM 18" DEEP 'SANDY LOAM' SOIL MIX WITH NO MORE THAN 5% CLAY CONTENT, THE MIX SHALL CONTAIN 50-60% SAND, 20-30% COMPOST OR HARDWOOD MULCH, AND 20-30% TOPSOIL.
2. GRAVEL BASE SHALL BE 3/4" CRUSHED ROCK LAYER WITH A MINIMUM DEPTH OF 24." MAY BE DEEPENED TO INCREASE THE INFILTRATION AND STORAGE ABILITY OF THE BASIN.

EXHIBIT 'D'

INSPECTION, OPERATION, AND MAINTENANCE PLAN (IOMP)

BEST MANAGEMENT PRACTICES	INSPECTION FREQUENCY	MAINTENANCE
BIORETENTION BASINS (BF-1 OTAY RIVER)	MONTHLY, AFTER LARGE STORM EVENTS, AND AFTER REMOVAL OF ACCUMULATED DEBRIS OR MATERIAL.	<u>RESPONSIBLE PARTY:</u> HOMEFED VILLAGE 8, LLC, OR ASSIGNEE <u>PREVENTATIVE/CORRECTIVE MAINTENANCE:</u> -REMOVE ALL DEAD AND DISEASED VEGETATION AND TRASH ACCUMULATION. -FERTILIZER AND PESTICIDE USE IS TO BE IN ACCORDANCE WITH ALL APPLICABLE FEDERAL, STATE, AND LOCAL REGULATIONS. -REMOVE SEDIMENT AND DEBRIS TO ENSURE NO CLOGGING OR BLOCKAGE OF OUTLET STRUCTURES -REMOVE STANDING WATER WHEN NEEDED TO PREVENT MOSQUITO BREEDING. -INSPECT ENGINEERED SOIL FOR CONTAMINATION WITH SILT OR OTHER DEBRIS AND REMOVE AND REPLACE AS NEEDED. -INSPECT GRAVEL BASE FOR POSITIVE DRAINAGE, REMOVE AND REPLACE AS NEEDED.

BEST MANAGEMENT PRACTICES	INSPECTION FREQUENCY	MAINTENANCE
BIORETENTION/HYDROMODIFICATION BASINS (BF-1 WOLF CANYON)	MONTHLY, AFTER LARGE STORM EVENTS, AND AFTER REMOVAL OF ACCUMULATED DEBRIS OR MATERIAL.	<u>RESPONSIBLE PARTY:</u> HOMEFED VILLAGE 8, LLC, OR ASSIGNEE <u>PREVENTATIVE/CORRECTIVE MAINTENANCE:</u> -REMOVE ALL DEAD AND DISEASED VEGETATION AND TRASH ACCUMULATION. -FERTILIZER AND PESTICIDE USE IS TO BE IN ACCORDANCE WITH ALL APPLICABLE FEDERAL, STATE, AND LOCAL REGULATIONS. -REMOVE SEDIMENT AND DEBRIS TO ENSURE NO CLOGGING OR BLOCKAGE OF OUTLET STRUCTURES -REMOVE STANDING WATER WHEN NEEDED TO PREVENT MOSQUITO BREEDING. -INSPECT ENGINEERED SOIL FOR CONTAMINATION WITH SILT OR OTHER DEBRIS AND REMOVE AND REPLACE AS NEEDED. -INSPECT GRAVEL BASE FOR POSITIVE DRAINAGE, REMOVE AND REPLACE AS NEEDED.