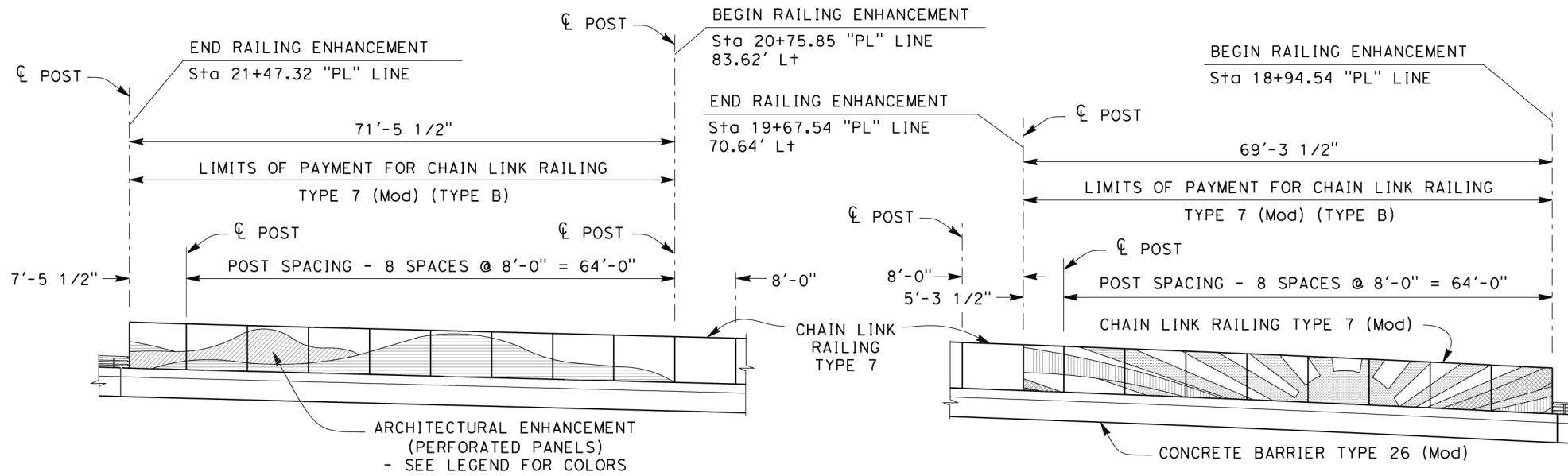
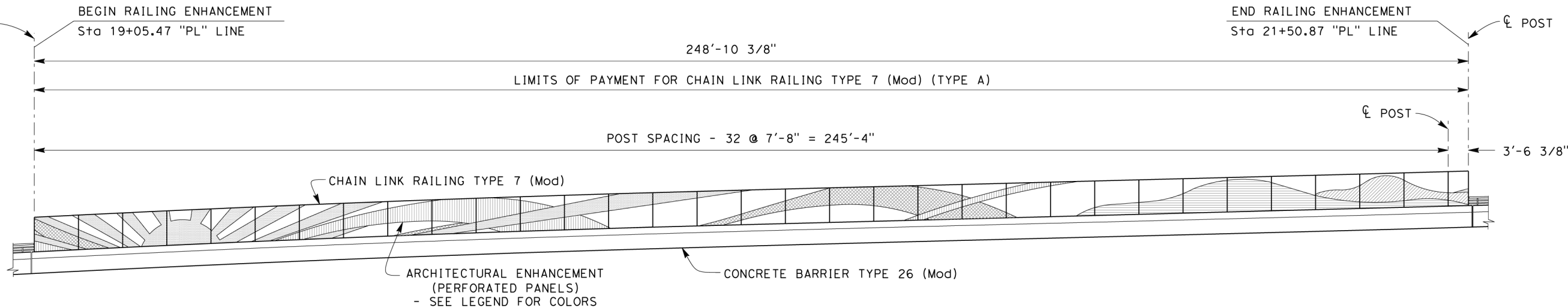


Dist	COUNTY	ROUTE	POST MILES
11	SD	805	5.05
FMA No.		DATE	
11-8096		rev. 8/29/14	



**PARTIAL EXTERIOR ELEVATION  
LEFT EDGE OF DECK**



**EXTERIOR ELEVATION  
RIGHT EDGE OF DECK**

**MAINTENANCE AGREEMENT**

**EXHIBIT "A"**

**SHEET 5a OF 11 SHEETS**

**CITY TO MAINTAIN ENHANCED FENCING  
/ RAILING ON BRIDGE DECK**